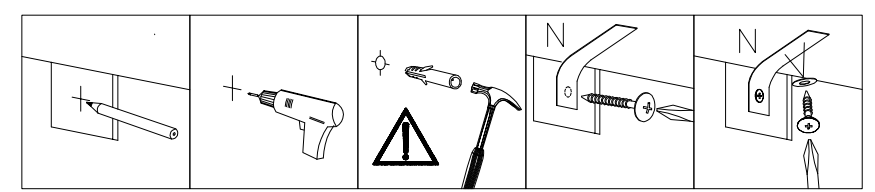
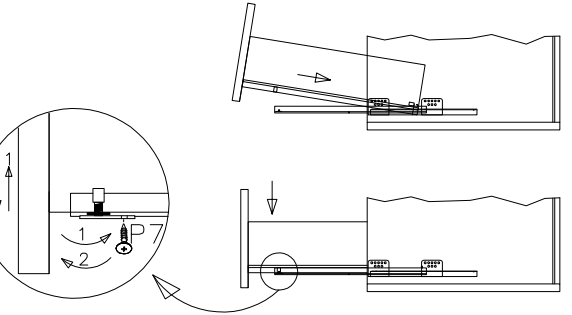
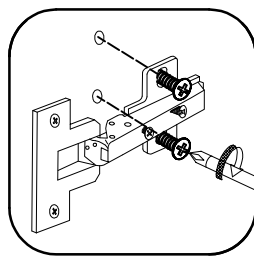
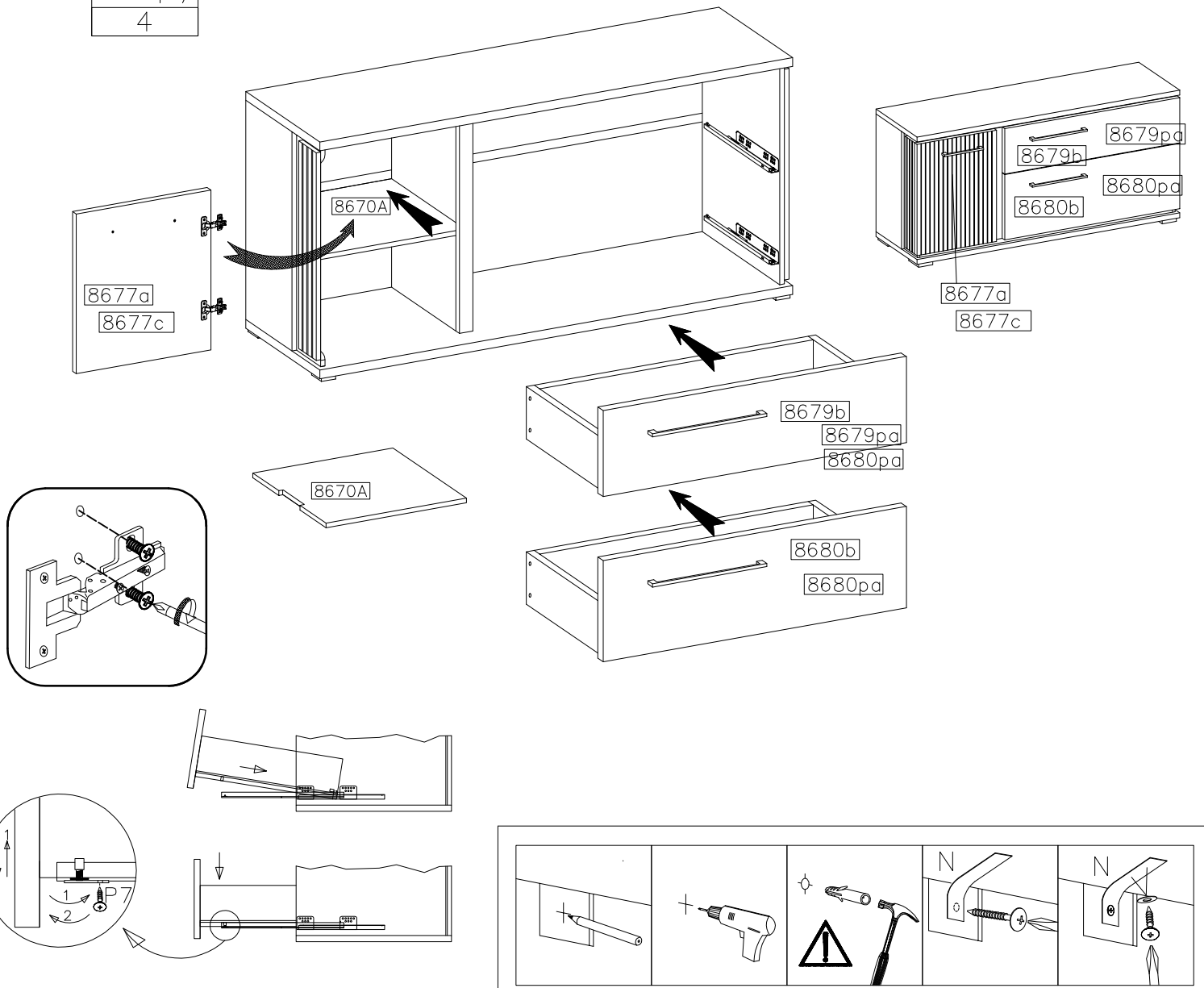
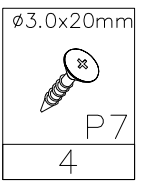
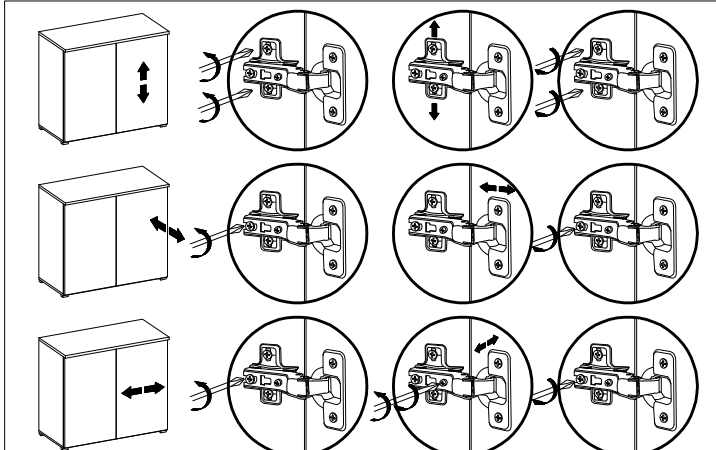
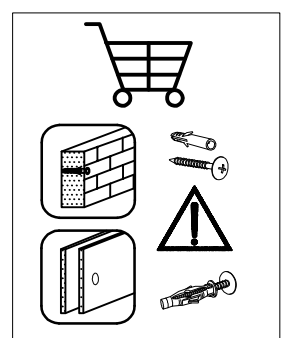
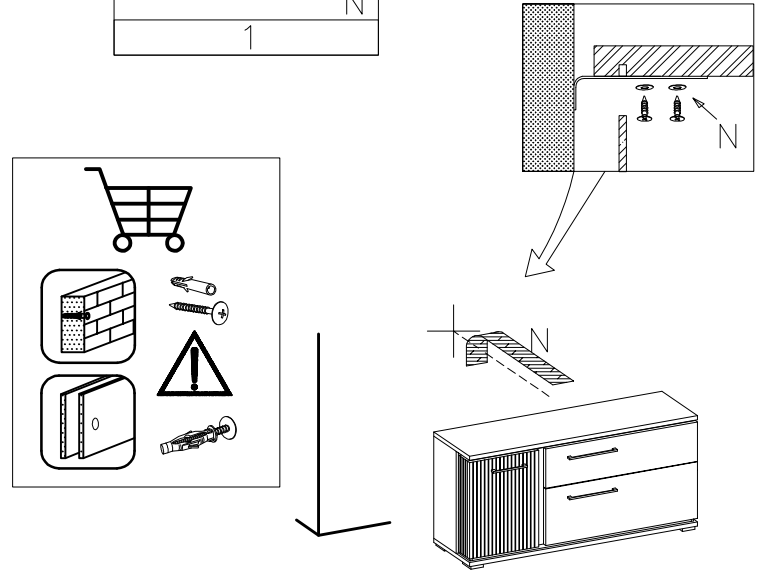
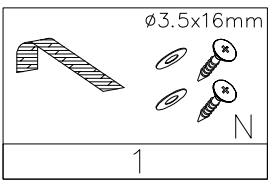


17



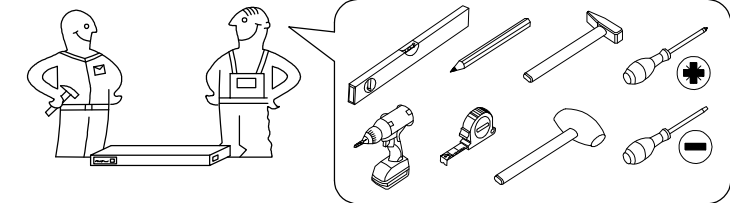
18



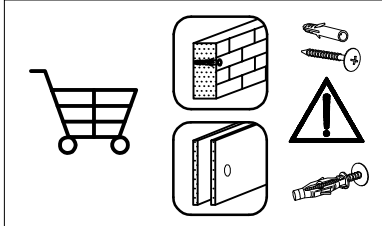
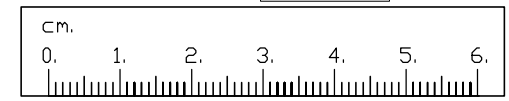
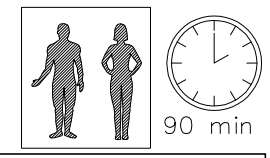
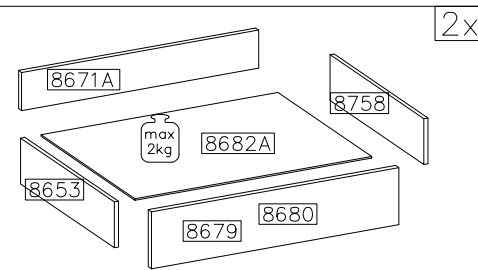
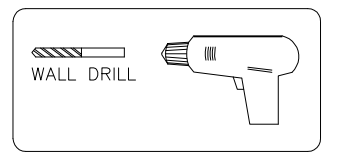
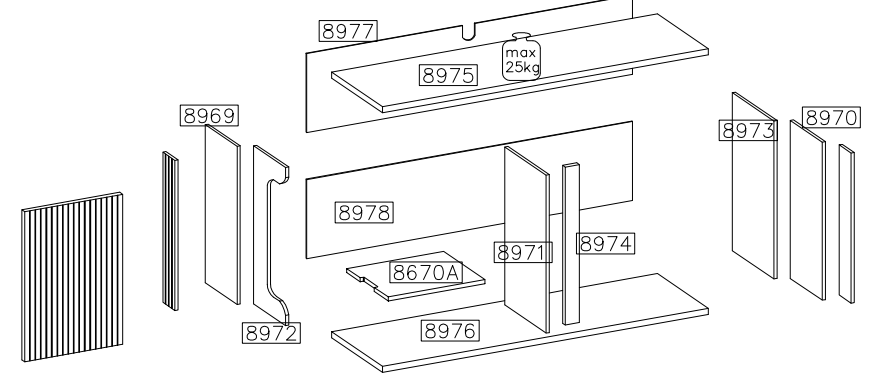
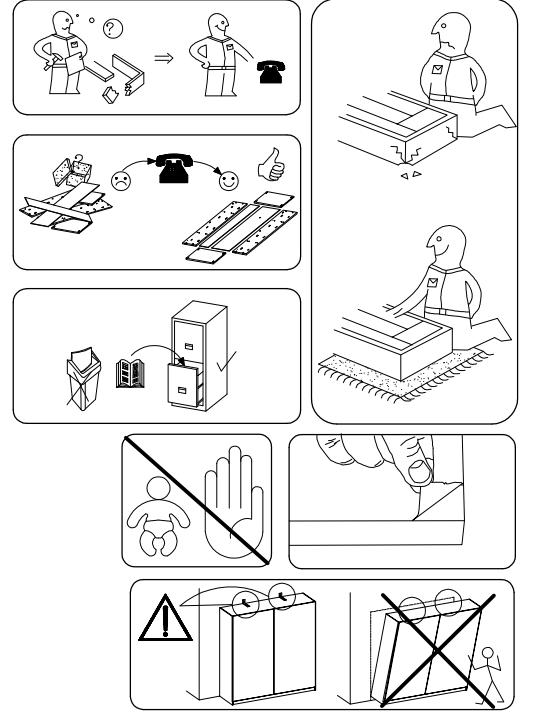
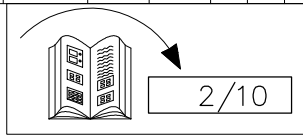
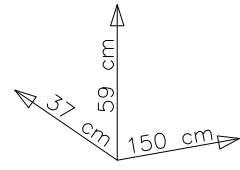
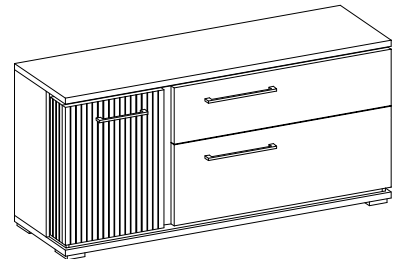
MOLTO II

-ML4

POPRAWNA INSTRUKCJA/
CORRECT ASSEMBLY



#	ART. NR	L	W	T	Q	Col.No
1	8969	462	210	16	1	1
2	8970	462	160	16	1	1
3	8971	462	314	16	1	1
4	8653	300	140	16	2	1
5	8758	300	140	16	2	1
6	8972	462	160	16	1	1
7	8973	462	330	16	1	1
8	8974	462	60	16	1	1
9	8670A	516	314	16	1	1
10	8975	1500	370	25	1	2
11	8976	1500	370	25	1	2
12	8671A	882	123	16	2	2
13	8977	1483	238	2,5	1	2
14	8978	1483	238	2,5	1	2
15	8628A	897	308	2,5	2	2

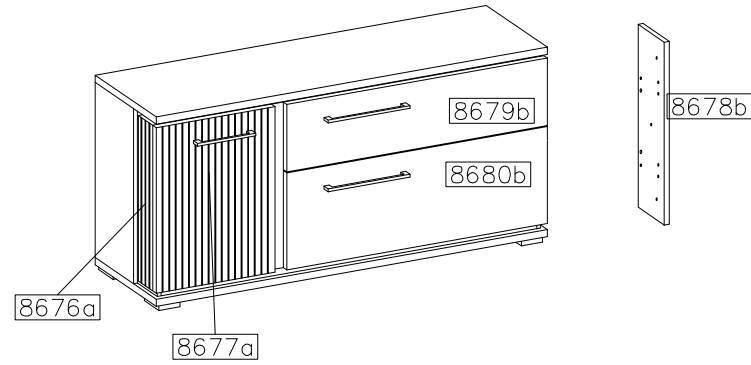


ø8x30mm	ø8x20mm	ø15/12mm	ø3.0x16mm	ø4.0x30mm	ø5.0x13mm	ø4.0x27mm	ø3.0x20mm	ø35/KR-0
A	A7	B	C	D1	E	E1	F4	Z1
28	4	6	14	14	14	6	5	2
L	O	P1	P3	P9	P18	U	P7	G6
10	1	24	20	12	12	8	4	2
J4	S2	S3	R2	M4.0x22mm	ø3.5x16mm	L	R	PR1
4	1	2	6	1	N	2SET		

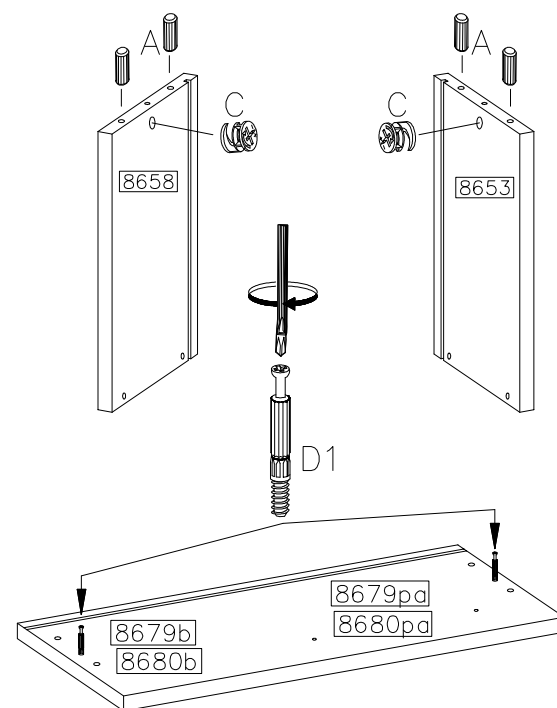
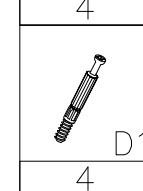
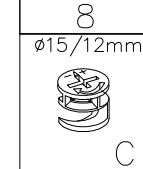
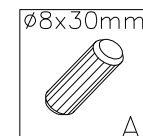
MOLTO II
-ML4

VERSION-01 ARTISAN

#	ART. NR	L	W	T	Q	Col.No
1	8677a	455	500	16	1	3
2	8676a	455	110	16	1	3
3	8679b	970	190	16	1	3
4	8680b	970	261	16	1	3
5	8678b	455	160	16	1	3

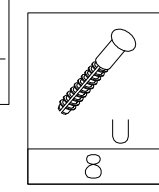


13

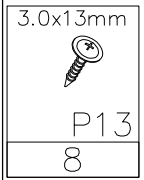
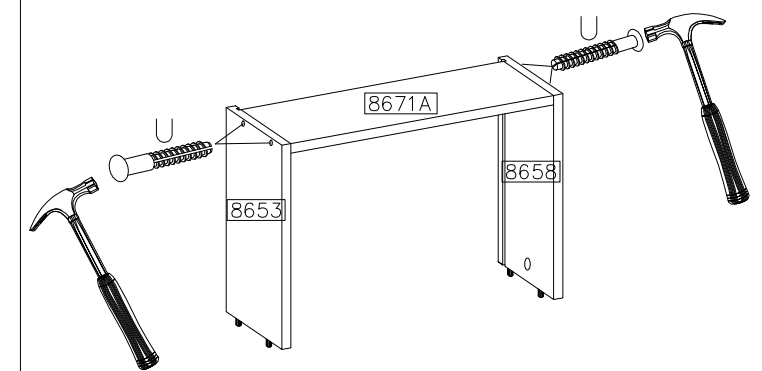


2x

14

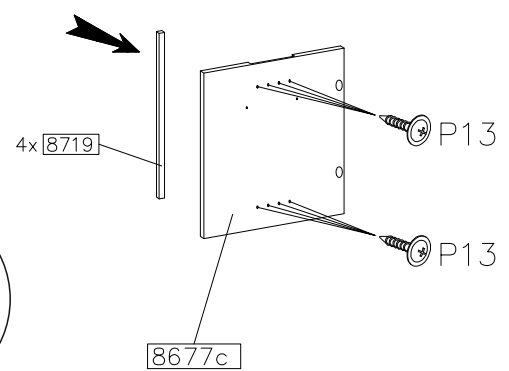
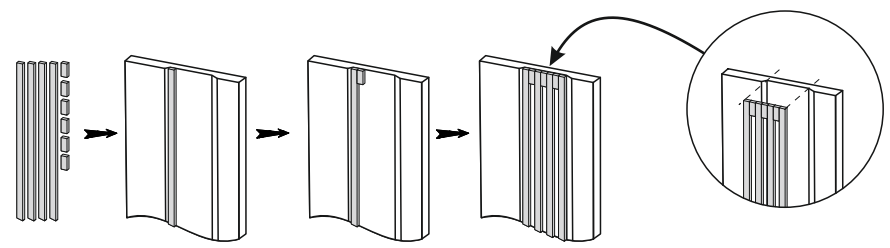
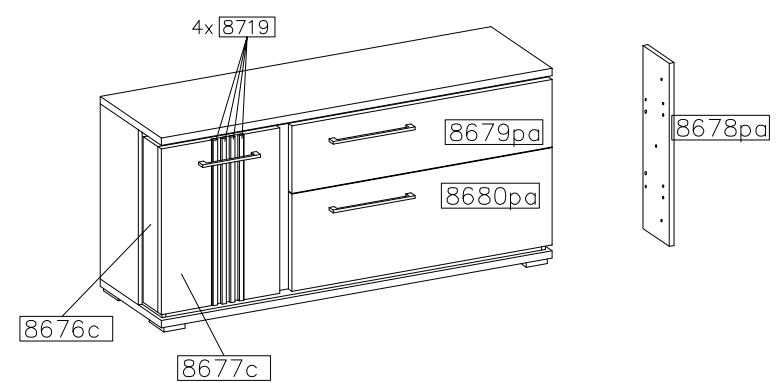


2x

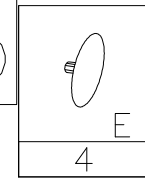


VERSION-03 BLACK FRONT

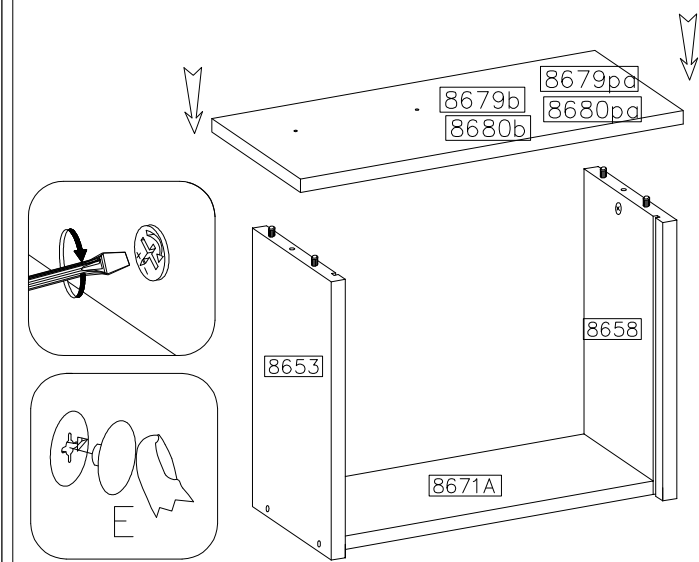
#	ART. NR	L	W	T	Q	Col.No
1	8677c	455	500	16	1	3
2	8676c	455	110	16	1	3
3	8679pd	970	190	16	1	3
4	8680pd	970	261	16	1	3
5	8678pd	455	160	16	1	3
6	8719	454	16	10	4	3



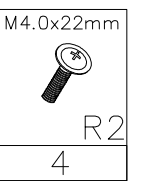
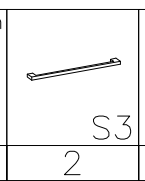
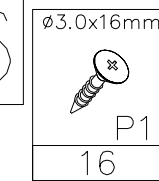
15



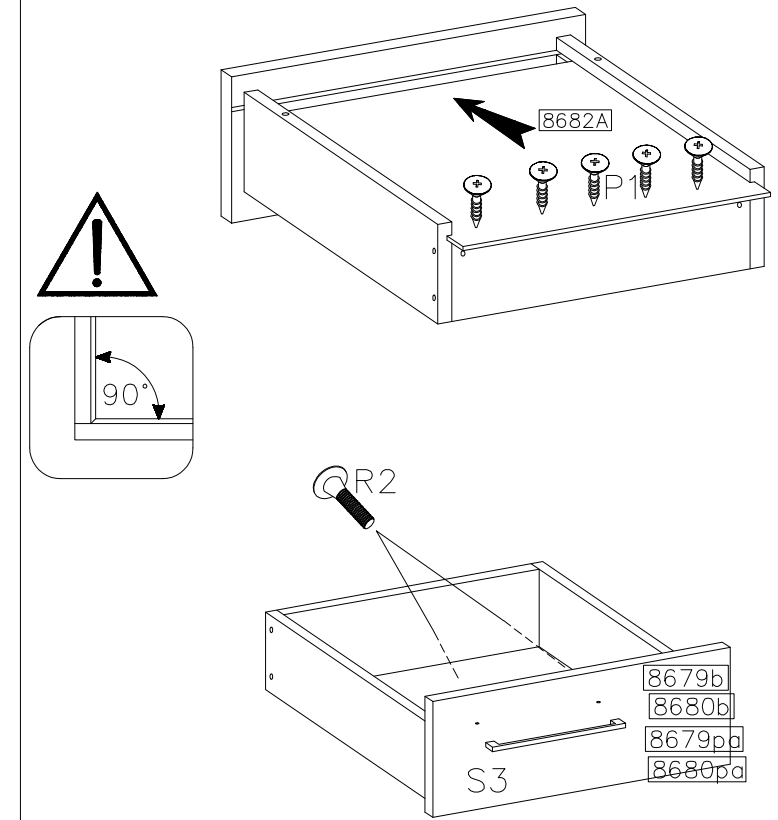
2x



16

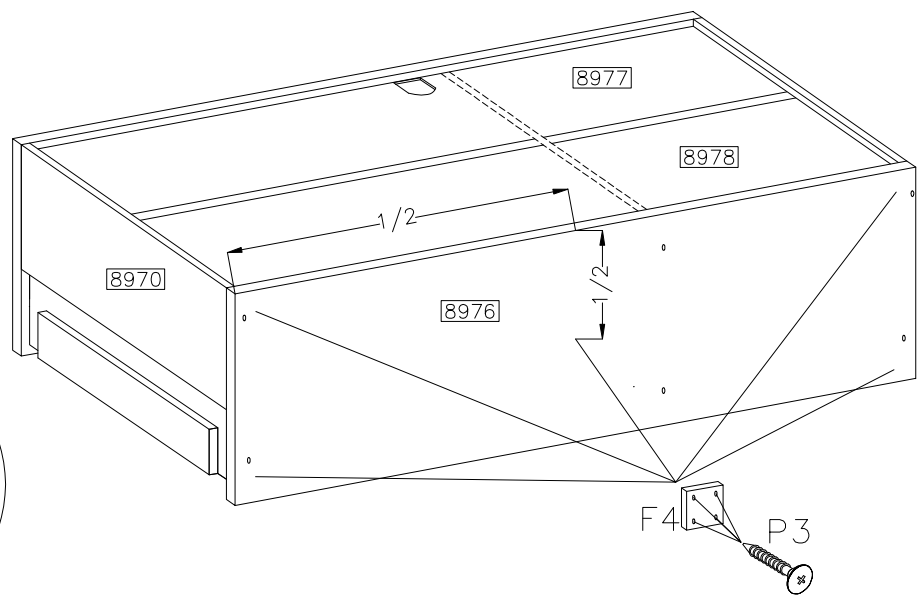
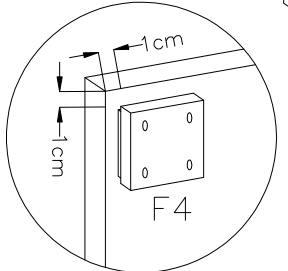


2x



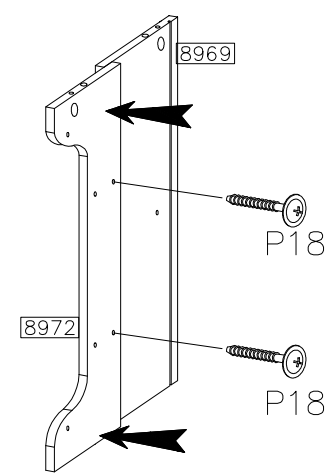
10

- F4
- 5
- ∅4.0x30mm
- P3
- 20



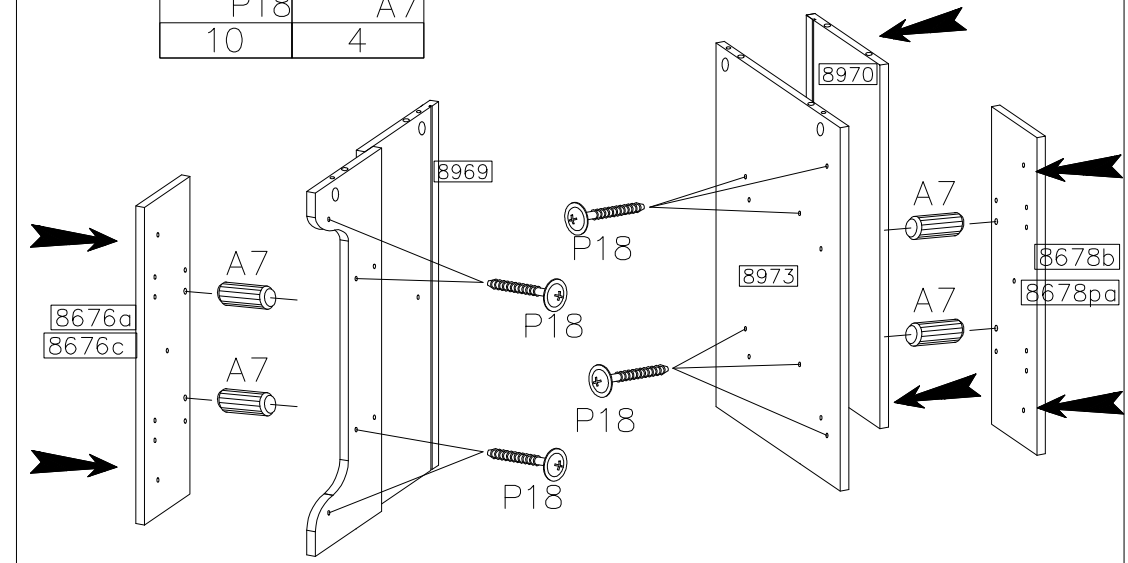
1

- ∅4.0x27mm
- P18
- 2



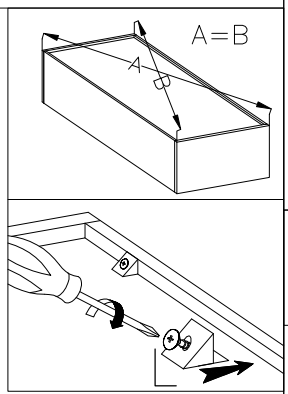
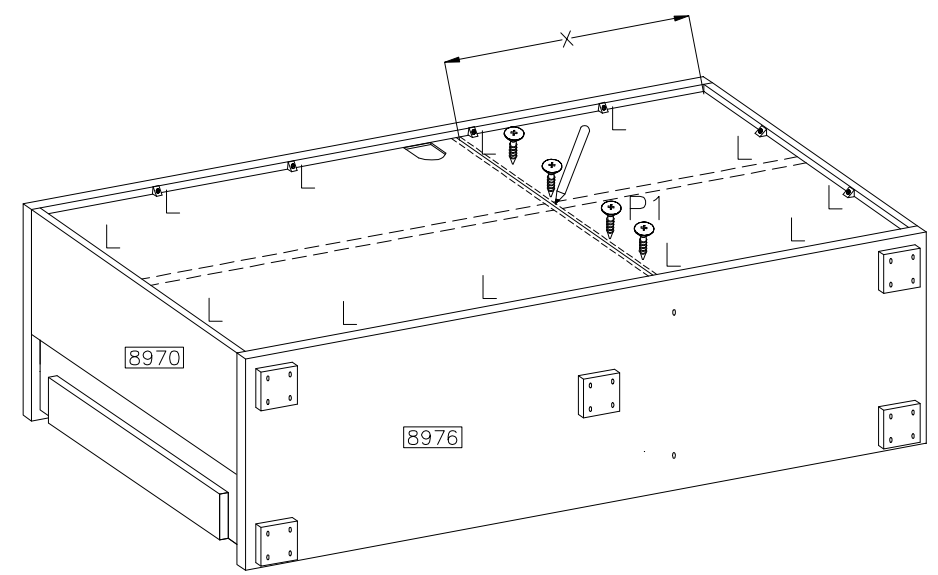
2

- ∅4.0x27mm
- P18
- 10
- ∅8x20mm
- A7
- 4



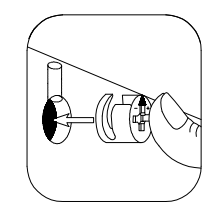
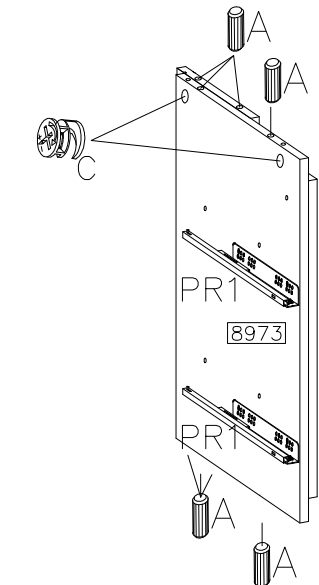
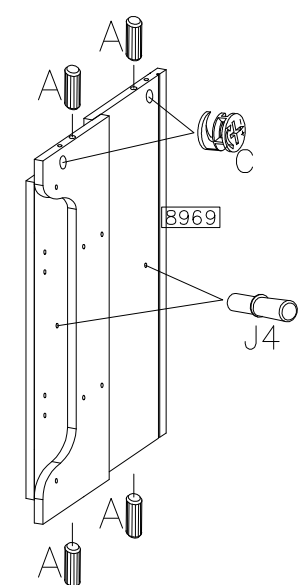
11

- L
- 10
- ∅3.0x16mm
- P1
- 8



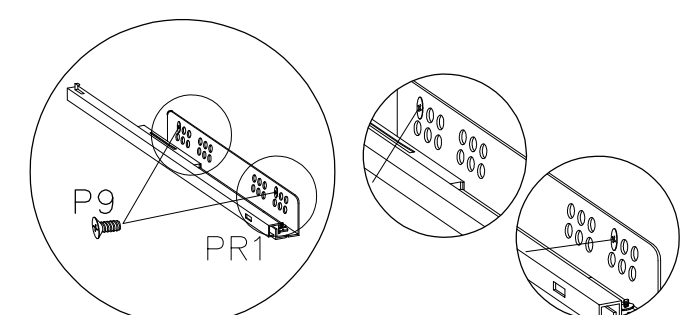
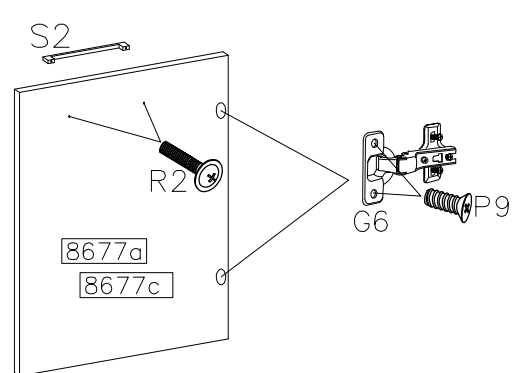
3

- ∅8x30mm
- A
- 12
- J4
- 2
- ∅15/12mm
- C
- 4
- R
- PR1
- 2
- ∅5.0x13mm
- P9
- 4

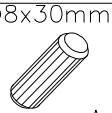
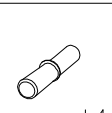




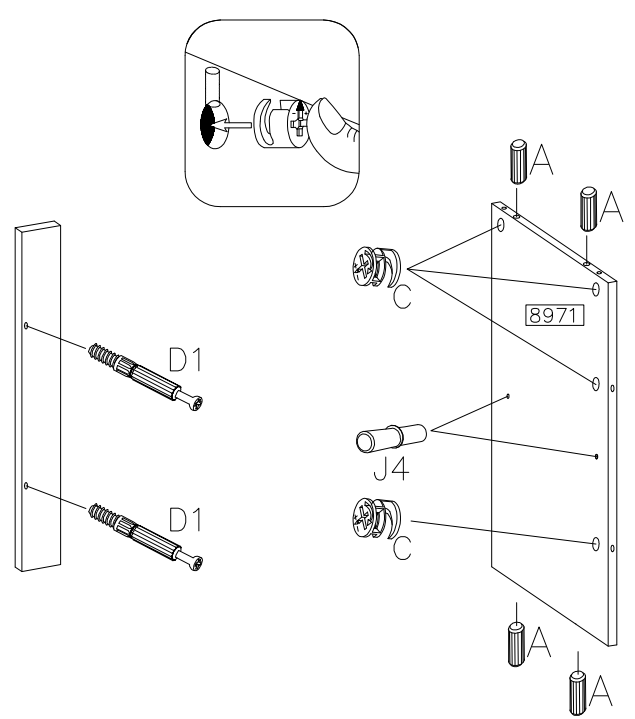
12

- ∅35/KR-0
- G6
- 2
- 5.0x13mm
- P9
- 4
- M4.0x22mm
- S2
- 1
- R2
- 2

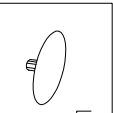


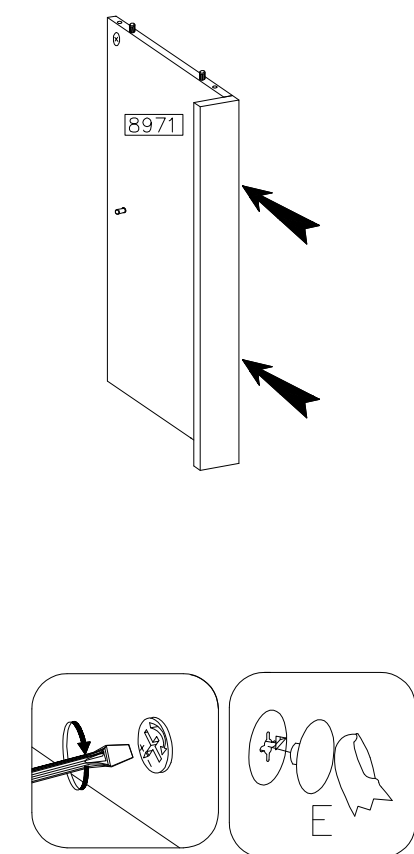
4

 $\varnothing 8 \times 30 \text{mm}$	 J4	 $\varnothing 15/12 \text{mm}$	 D1
4	2	4	2

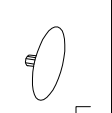


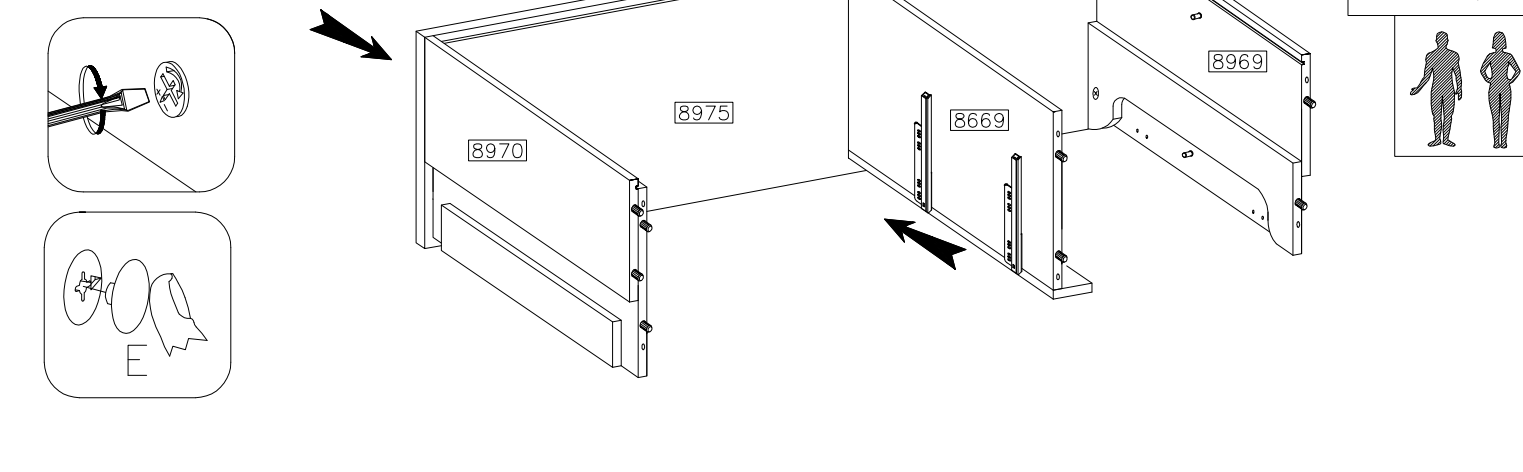
5

 E
2

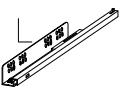




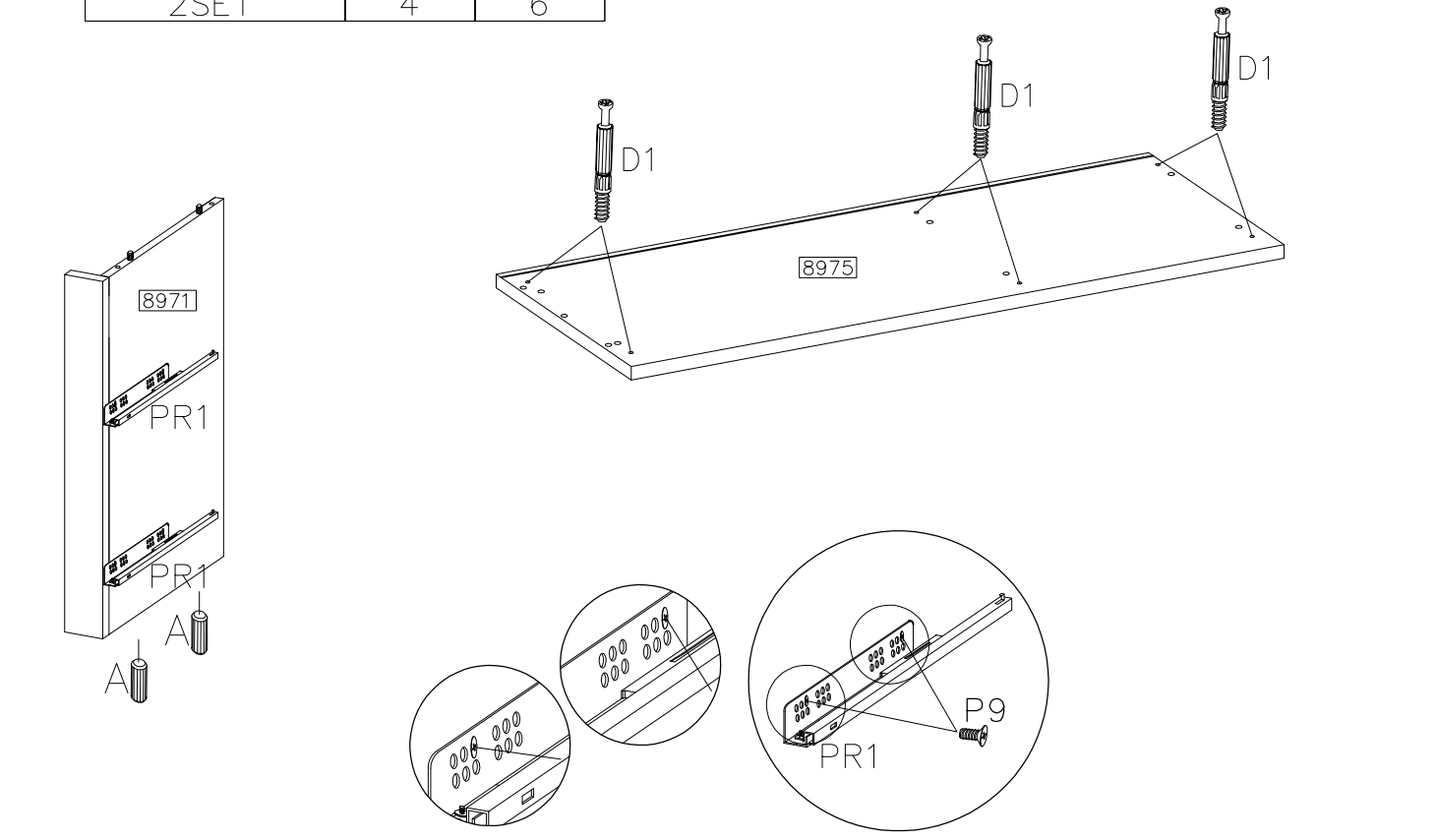
7

 E
6

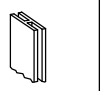


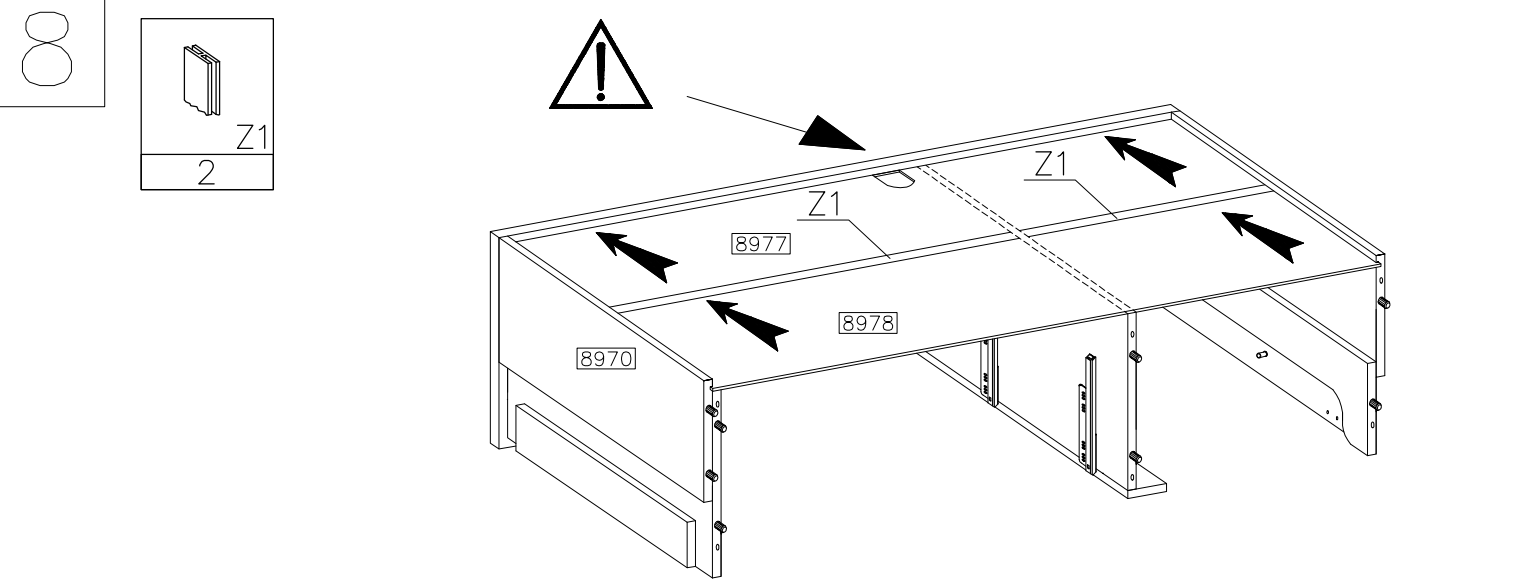
6

 PR1	 $\varnothing 5.0 \times 13 \text{mm}$	 D1
2SET	4	6

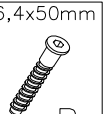




8

 Z1
2



9

 $\varnothing 6.4 \times 50 \text{mm}$
6
 O
1
 E1
6

